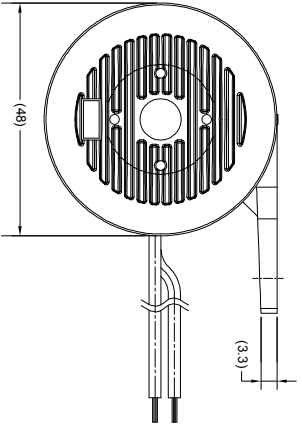
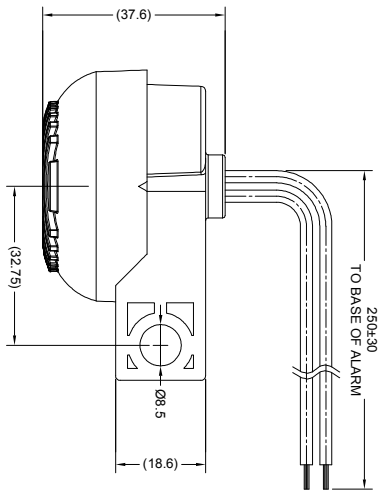
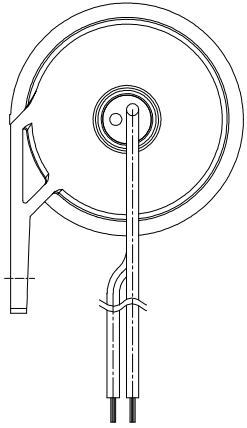


Revision Notes			
R1 - NOTES UPDATED TO INCLUDE LABEL DETAILS, STANDARDS UPDATED AS PER ECR CR-4274.			
APPA KIDA	Drawn/RBATES	Checked/MBUTLER	Approved/GPUTH
			Date: 28/08/14



- SPECIFICATIONS:**
1. RATED VOLTAGE: 36, 80VDC.
 2. WORKING VOLTAGE: 9V-95VDC.
 3. RATED CURRENT: 50mA.
 4. SOUND PRESSURE: 90±10dB(A) TESTED AT VOLTAGE RATED (AS MEASURED AT A DISTANCE OF 1M AND AT A HEIGHT OF 1M ABOVE THE GROUND)
 5. FREQUENCY: 2900±500Hz AS POWERED AT RATED VOLTAGE.
 6. INTERMITTENCE: 85±10 CYCLES PER MINUTE AT RATED VOLTAGE.
 7. VIBRATION RESISTANCE: REQUIREMENTS SPECIFIED IN 3.4 AND 5 ABOVE SHALL BE SATISFIED AFTER SUBJECTING AS VIBRATED TO 6.8G 33.3Hz (2000C/min) UP AND DOWN FOR 4hr TO RIGHT AND LEFT FOR 2hr UNDER CLASS 7 JIS D1610.
 8. DURABILITY: REQUIREMENTS SPECIFIED IN 3.4,5 SHALL BE SATISFIED AFTER SUBJECTED TO TEST OF CONSECUTIVE 500hr AT TEST VOLTAGE OF 28V±0.5V.
 9. THERMAL RESISTANCE: REQUIREMENTS SPECIFIED IN 3.4 AND 5 SHALL BE SATISFIED UPON RECOVERY OF ROOM TEMPERATURE AFTER EXPOSED TO +60°C AND -20°C FOR 1hr-10.
 10. WATER RESISTANCE: TO BE FREE FROM ABNORMALITY AFTER TESTED AS SPECIFIED ON NO3,4,5 IN S1 JIS D0203.
 11. SURGE VOLTAGE RESISTANCE: TO BE ABNORMALITY FREE FROM ABNORMALITY FOR UP TO 10msec AT 80 VOLTS.

- NOTES:**
1. FOR PRODUCT LABEL REFER TO LATEST REVISION OF DRAWING BE-002833-XX-14.
 2. FOR GIFTBOX LABEL REFER TO LATEST REVISION OF DRAWING BE-002834-XX-14.
 3. "R" TRIANGLE INDICATES CHANGES MADE TO REVISION AS IDENTIFIED IN NOTES.



PROPRIETARY NOTICE

THIS DESIGN AND TECHNICAL INFORMATION APPEARING ON THIS DRAWING IS THE PROPERTY OF BRIGADE ELECTRONICS AND IS DISCLOSED IN CONFIDENCE. IT IS NOT TO BE COPIED, REPRODUCED, REVEALED TO OR EXPLOITED BY OTHERS, EITHER IN WHOLE OR IN PART WITHOUT THE EXPRESS WRITTEN CONSENT OF BRIGADE ELECTRONICS.



Assembly PI Approval		Approved by		Checked by		Drawn by	
		DKERAL		DKERAL		MBUTLER	
Angle of Projection		Units		Scale		Released	
		mm		N/A		21/05/08	
Third Angle		Status		VRA-390HV			
		RELEASED					
		Part No		BE-000586-01-08			
		#1565					